



## Technical Datasheet

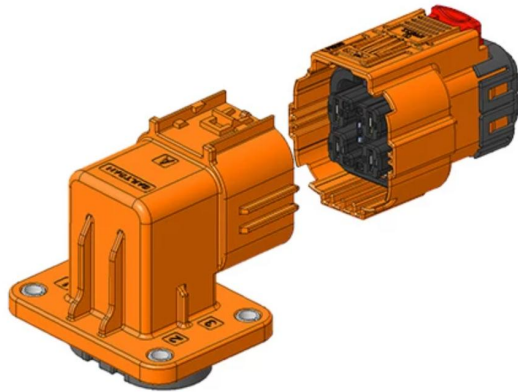
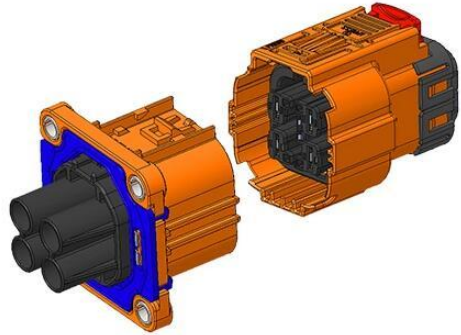
-

## GC-DXC1 4-POS Plastic HV Connector



# GC-DXC1 4-Pole Plastic HV Connector

## Product overview



GC-DXC1 high-voltage interlocking low-current plastic connector is suitable for electrical connections between motor controllers, PDU, all-in-one, PTC and other automotive equipment. The product adopts a plastic shell. In addition to functions such as high-voltage interlocking, secondary locking, multi-key error-proofing, shielding, and waterproofing, it also has functions such as delayed separation (segment unlocking) and plug terminal TPA.

### The main technical parameters:

- Model: GC-DXC1
- Pole: 4 pos
- Wire cross section: 2.5mm<sup>2</sup>; 4mm<sup>2</sup>; 6mm<sup>2</sup>
- Rated current: 20A; 32A; 40A
- Rated voltage: 1000V DC
- Withstand voltage: 4000V AC
- Operating temperature: -40°C~140°C
- Insulation resistance: 5000MΩ
- Protection level: IP68, IP69K
- Socket type: 90° bent socket, 180°
- Salt spray: 96h
- HVIL: YES
- Mating cycles: 100 times

# GC-DXC1 4-Pole HVIL Plastic Connector

Electrical Performance	Rated voltage	1000V
	Withstand voltage	4000V
	Rated current	20A(2.5mm <sup>2</sup> ), 32A(4mm <sup>2</sup> ), 40A(6mm <sup>2</sup> )
	Impulse current	40A, 2min(2.5mm <sup>2</sup> )、64A, 2min(4mm <sup>2</sup> )、80A, 2min(6mm <sup>2</sup> )
Mechanical Properties	Insulation resistance	5000MΩ
	Pole	4 Pos.
	Mating cycles	100Times
	Cross sections	2.5mm <sup>2</sup> /4mm <sup>2</sup> /6mm <sup>2</sup>
	Vibration class acc. To	USCARV2
Raw Material	Shell	Nylon
	Shielding	Copper alloy
	Insulator	Nylon
	Sealing	Rubber material
Environmental Performance	Operating temperature	-40°C~140°C
	Protection Grade	IP68、IP69K
	Salt Spray	96h

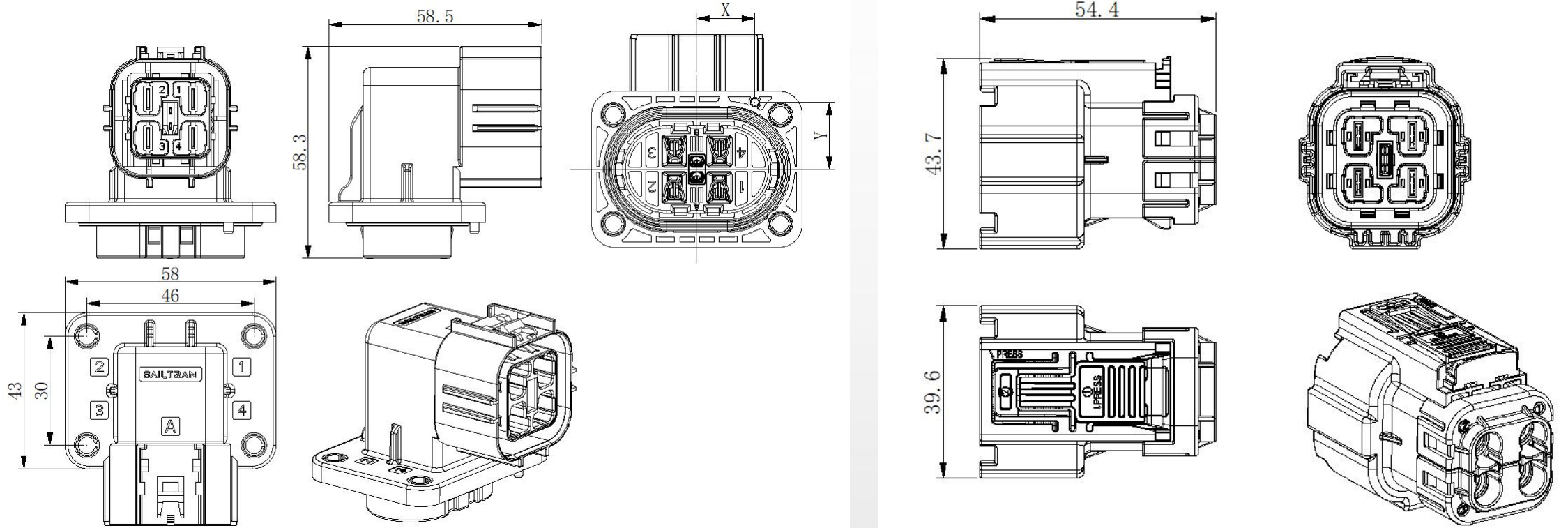


# MODEL NUMBER DESIGNATION

Series name	GC-DXC1	GC-DXC1	-	4	T	P	H	-	4		W		A	-01
Function	Plastic HVIL Connector													
Separator	-													
Pole	4 POS													
Type	T-Plug; Z-Socket													
Shielding	Default: none; P-Shielding													
HVIL	Default: none; H-HVIL													
Separator	-													
Cable cross section	2.5/4/6 mm <sup>2</sup>													
Cable type	Default: Single-core cable													
Cable outlet direction	Default: Straight; W-Bent													
Socket type	Default: Plug/Square Socket U:Wire shedding socket													
Keys	A/B/C/D													
Remodel	Default / Remodel: 01/Remodel: 02													



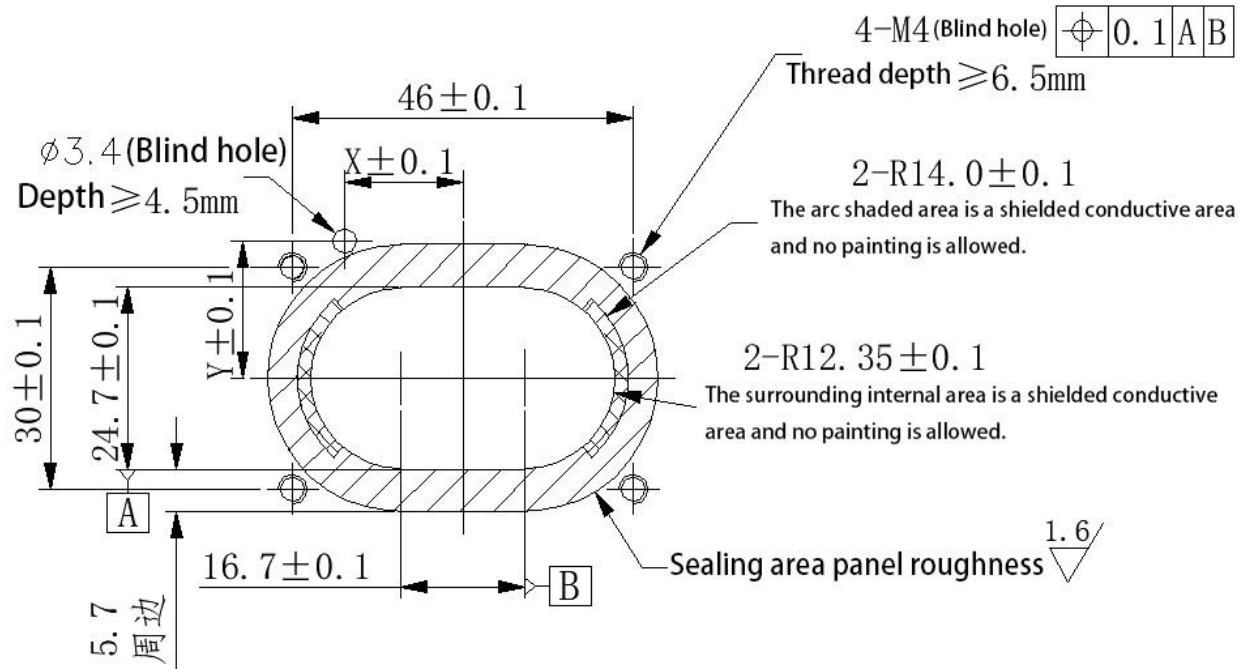
# GC-DXC1 4-Pole HVIL Plastic Connector



Dimension



# GC-DXC1 4-Pole HVIL Plastic Connector



Note: The surface flatness of the user's installation panel shall not be greater than 0.1mm, and the roughness Ra shall not be greater than 3.2.  
Use M4 screws and the recommended tightening torque is  $2.7 \pm 0.3$  N·m.

Hole Size  
(installation panel thickness  $\geq 2$ mm)

MODEL	X	Y
GC-DXC1-4ZPH-6WA	16	18.5
GC-DXC1-4ZPH-6WB	7.5	18.5
GC-DXC1-4ZPH-4WA	16	18.5
GC-DXC1-4ZPH-4WB	7.5	18.5
GC-DXC1-4ZPH-2.5WA	16	18.5
GC-DXC1-4ZPH-2.5WB	7.5	18.5

Recommended Installation Panel Size and Model Correspondence Table



# Custom Solution Provider

Address:

2A, Building 2, Hongji Xindu, Guanxing East Road, Longhua District,  
Shenzhen, China

Email Address:

[ec@guchen.com](mailto:ec@guchen.com)

Website: [www.guchen-connector.com](http://www.guchen-connector.com)